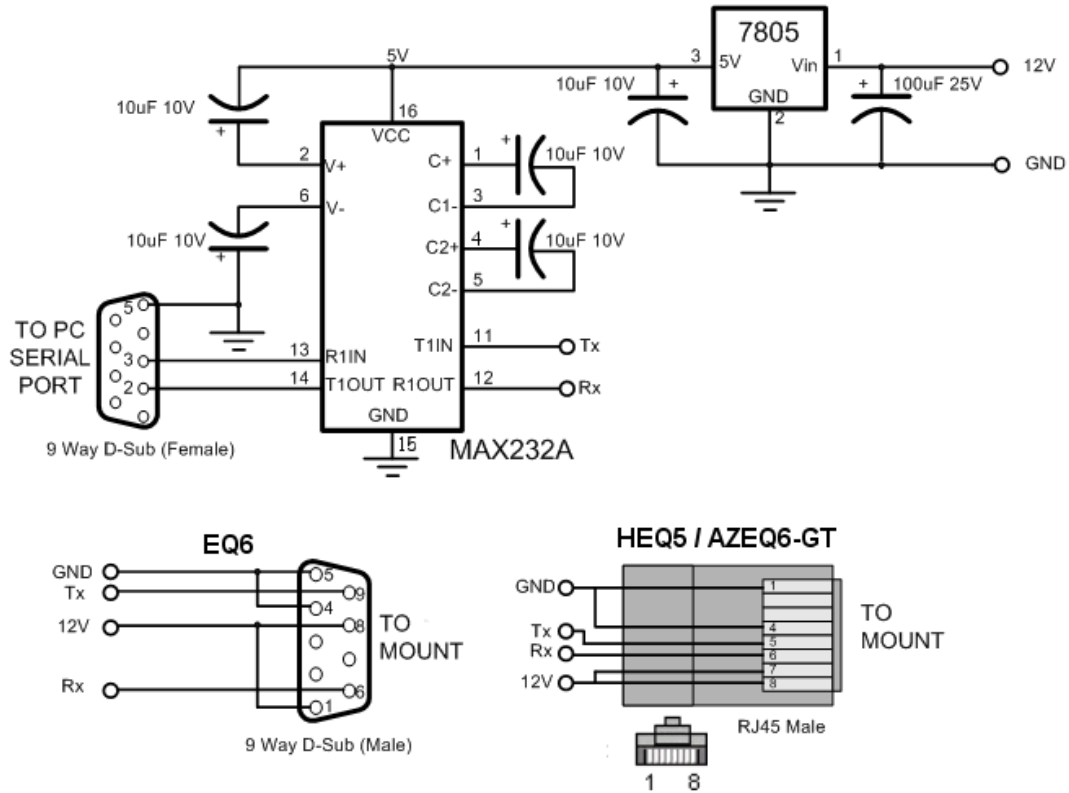


# **EQDIRECT RS232-TTL** **Circuit Diagram**



Check carefully that the 12V signal not short to any of the other pins on the connectors or circuit board as this could destroy the mounts PIC controller.

**DISCLAIMER:**

You use this information COMPLETELY AT YOUR OWN RISK. The modification steps and other information on this diagram is provided "AS IS" and WITHOUT ANY WARRANTY OF ANY KIND, express, statutory, implied or otherwise, including without limitation a warranty of merchantability or fitness for any particular or intended purpose. In no event will the author be held liable for any direct, indirect, punitive, special, incidental or consequential damages or loss or any kind whether or not the author has been advised of the possibility of such loss.